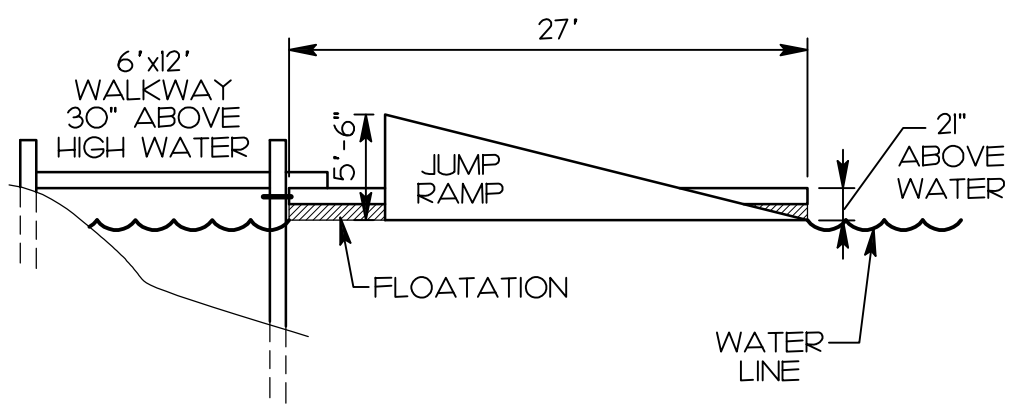


LAYOUT



SECTION

|   |  |               |
|---|--|---------------|
| <b>PERFORMANCE PLATFORM<br/>TEGA CAY, SOUTH CAROLINA<br/>FOR THE CITY OF TEGA CAY</b> |  |               |
| SCALE: 1" = 100'  | <b>SHEET TITLE<br/>PROPOSED<br/>PLATFORM AND<br/>JUMP RAMP</b> | SHEET         |
| DATE: 05/05/11  |  | <b>4</b> OF 4 |